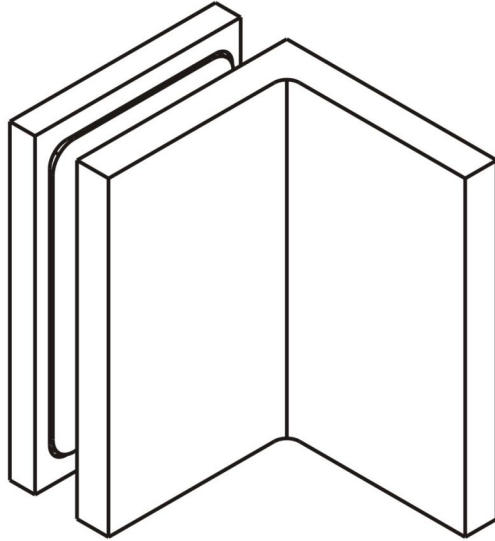


BEL90S



Anwendung	90° Glas-Wand Winkel
Material	Messing
Glasdicke	8 mm, 10 mm

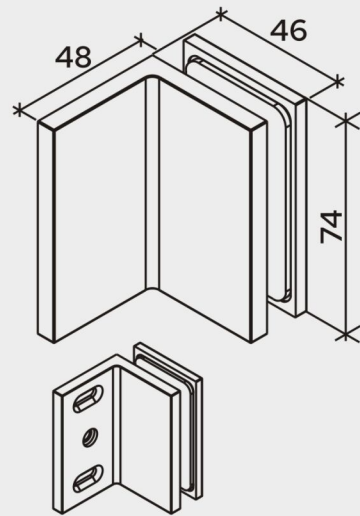
Application	90° Wall to Glass Clamp
Material	Solid Brass
Glass Thickness	8 mm, 10 mm

BEL90S

BELLAGIO Winkel, 90° Glas-Wand, mit Abdeckungen.

BELLAGIO 90° Wall Clamp, with cover plates.

BEL90S



mit Langlöcher
with elongated holes

